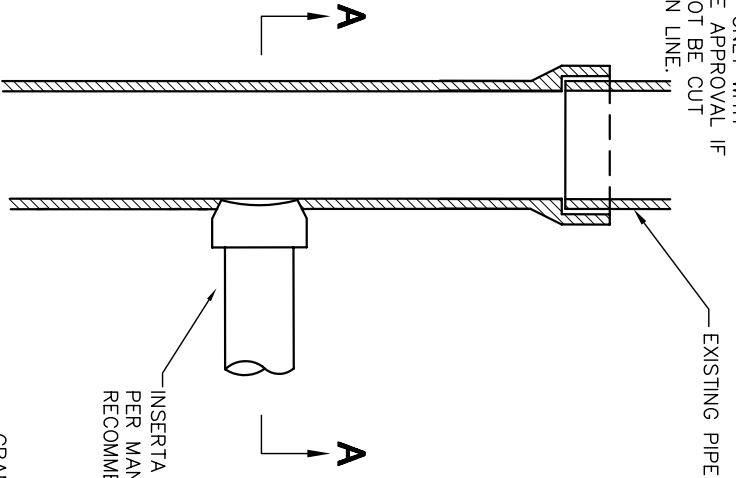
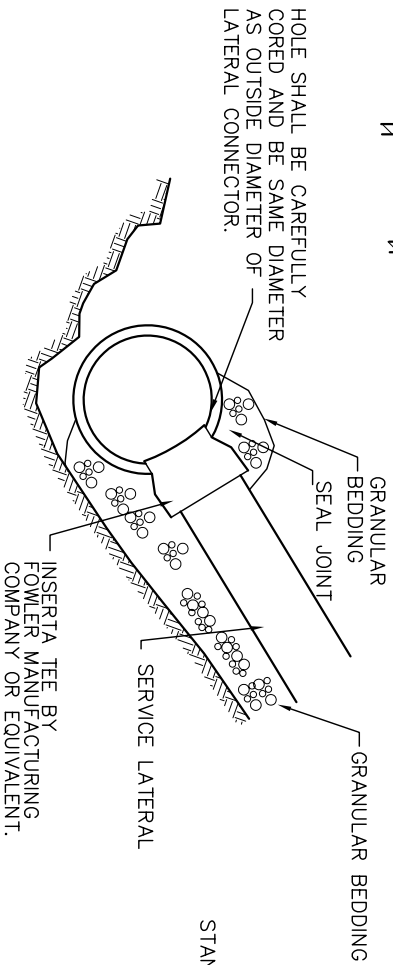


SADDLE TYPE CONNECTION
MAY BE USED ONLY WITH
PRIOR VILLAGE APPROVAL IF
A TEE CAN NOT BE CUT
INTO THE MAIN LINE.



EXISTING PIPE

INSERTA TEE INSTALLED AS
PER MANUFACTURER'S
RECOMMENDATION.

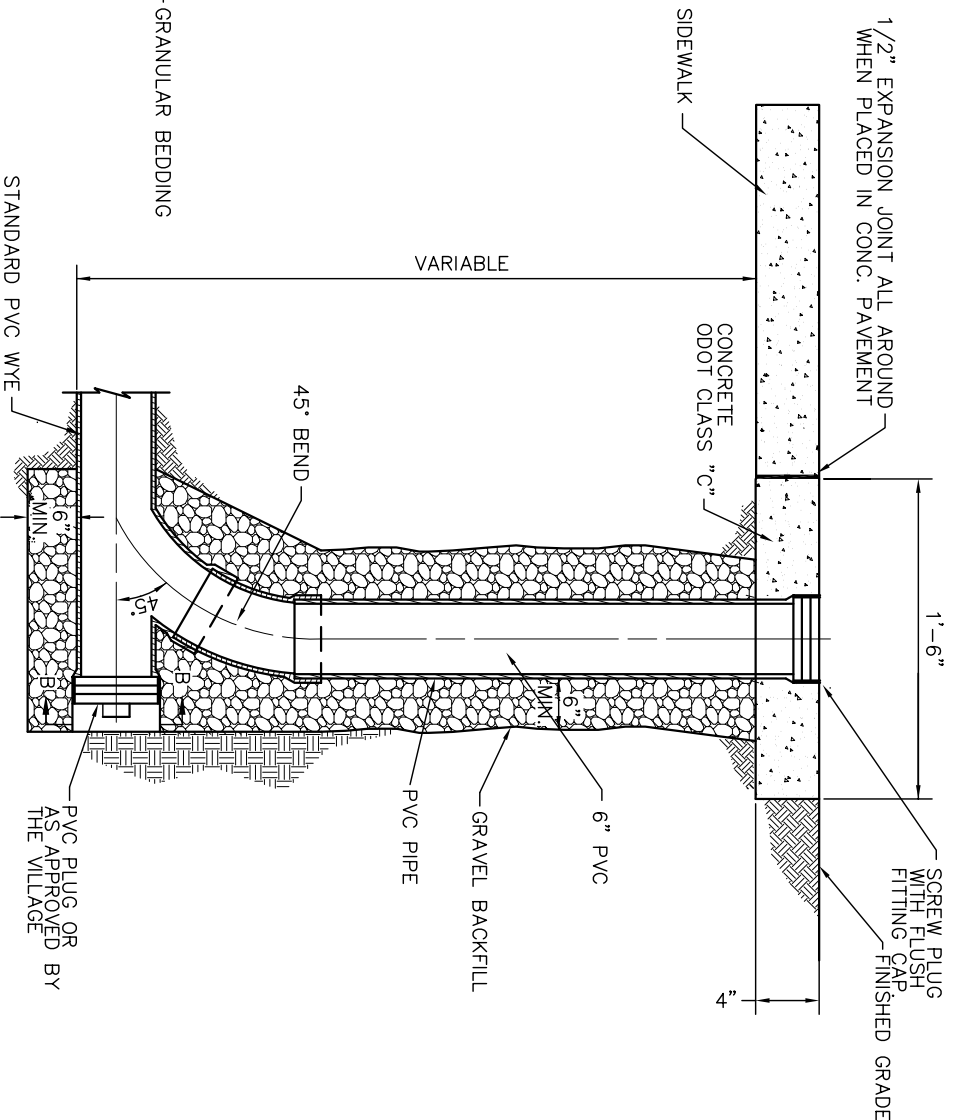


HOLE SHALL BE CAREFULLY
CORED AND BE SAME DIAMETER
AS OUTSIDE DIAMETER OF
LATERAL CONNECTOR.

SECTION A-A

INSERTA TEE BY
FOWLER MANUFACTURING
COMPANY OR EQUIVALENT.

1/2" EXPANSION JOINT ALL AROUND
WHEN PLACED IN CONC. PAVEMENT



CLEANOUT DETAIL

OTHER SADDLE TYPES THAT MAY BE
APPROVED ON CASE-BY-CASE BASIS
DEPENDING ON SITUATIONS ARE ROMAC
STYLE "CB" SEWER SADDLE AND
DFW/HPI FLEXIBLE SADDLE.

VILLAGE OF
ADA



**SANITARY SEWER CLEANOUT
AND SADDLE DETAILS**

REVISIONS:

DATE
APPROVED:
MAY 1997
PAGE No.
900-8