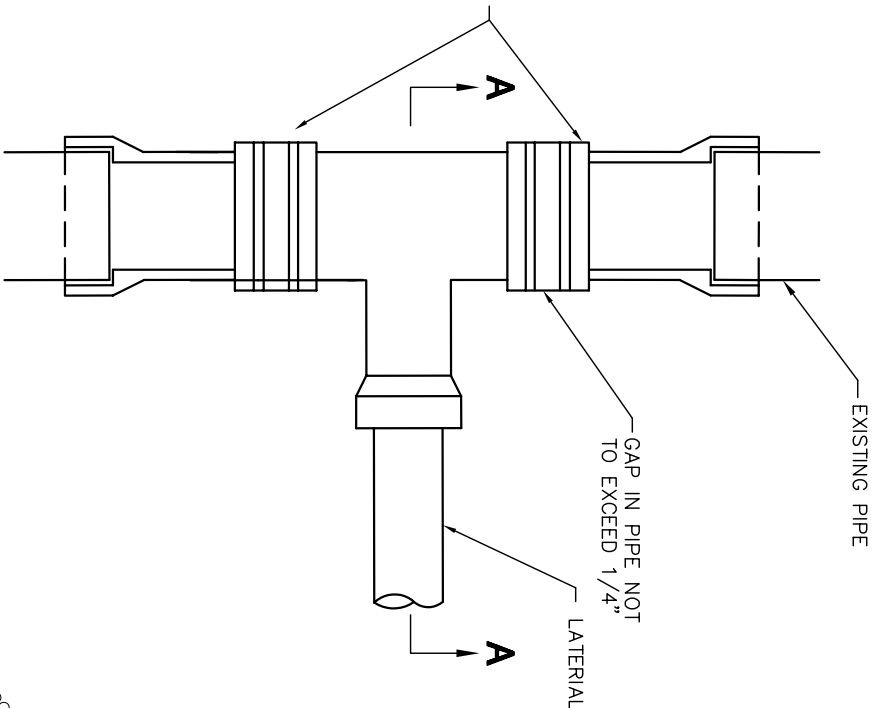
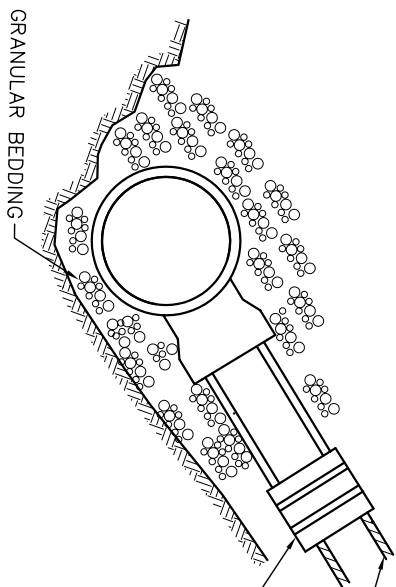


COUPLING (FOR CONNECTIONS
DETAIL SEE REPAIR OF
EXISTING SANITARY SEWER
PIPE DETAIL 900-5).



SERVICE LATERAL

NOTES
A TEE WILL BE CUT IN IF AN EXISTING LATERAL IS
NOT PROVIDED.
A SADDLE TYPE CONNECTION MAY BE USED WITH
PRIOR WRITTEN PERMISSION.



EXISTING SERVICE LATERAL PORTION
TO BE CONNECTED WITH A
COUPLING (FOR CONNECTIONS
DETAILS SEE REPAIR OF EXISTING
SANITARY SEWER PIPE DETAIL
900-5.)

CONNECTION DETAIL

VILLAGE OF
ADA



SANITARY SEWER CONNECTION DETAILS

REVISIONS:
NOV 2004

DATE
APPROVED:
MAY 1997

PAGE No.

900-7