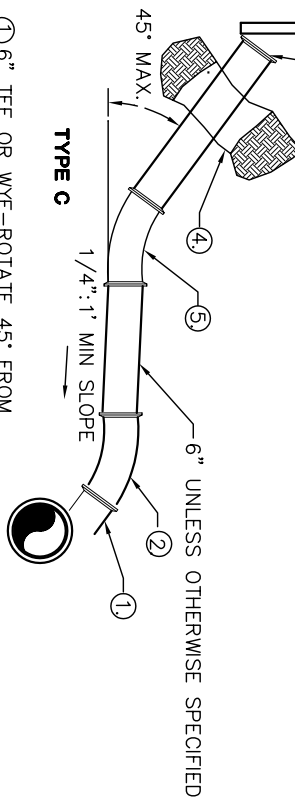
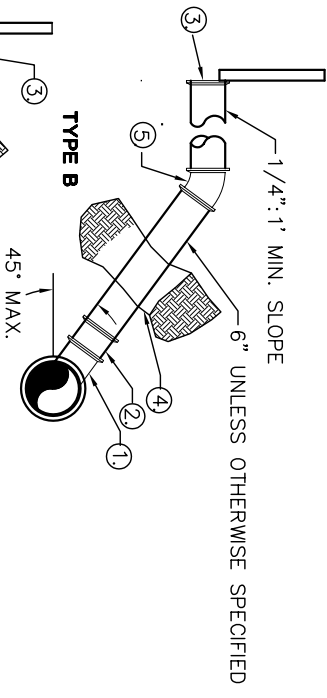
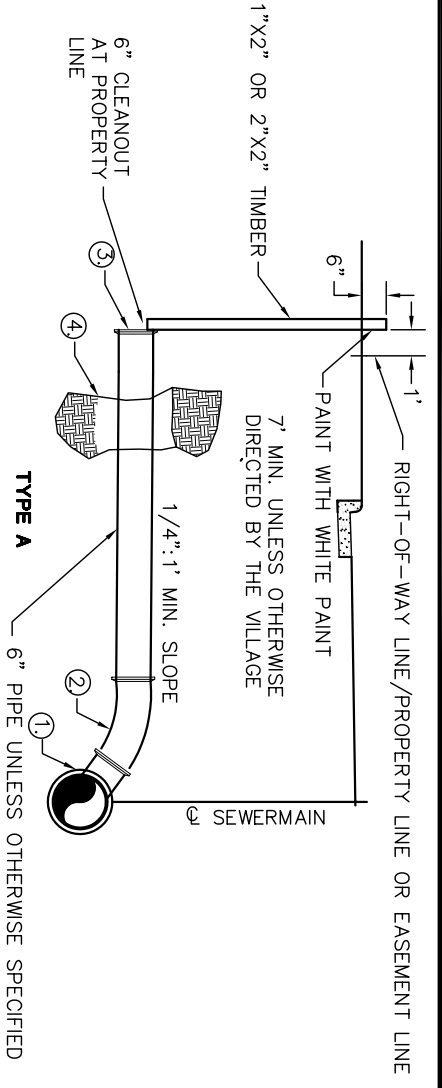
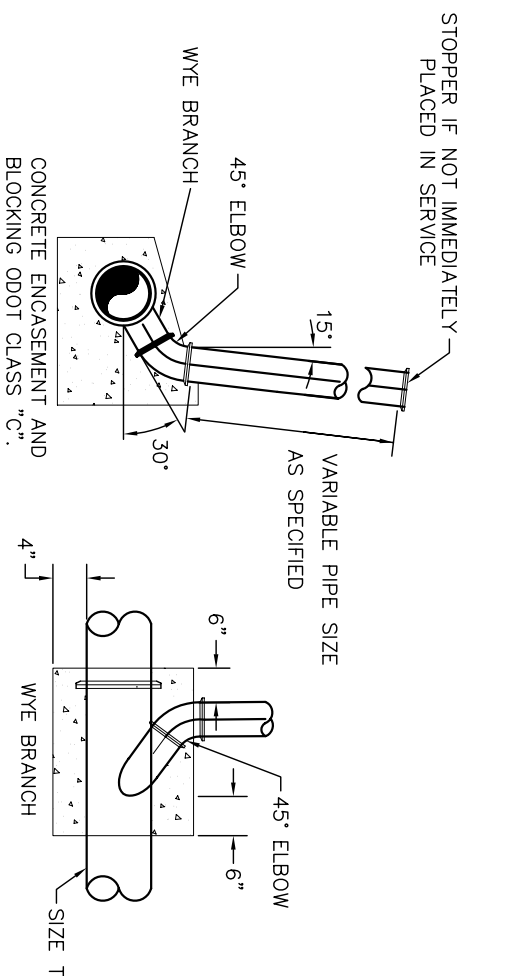
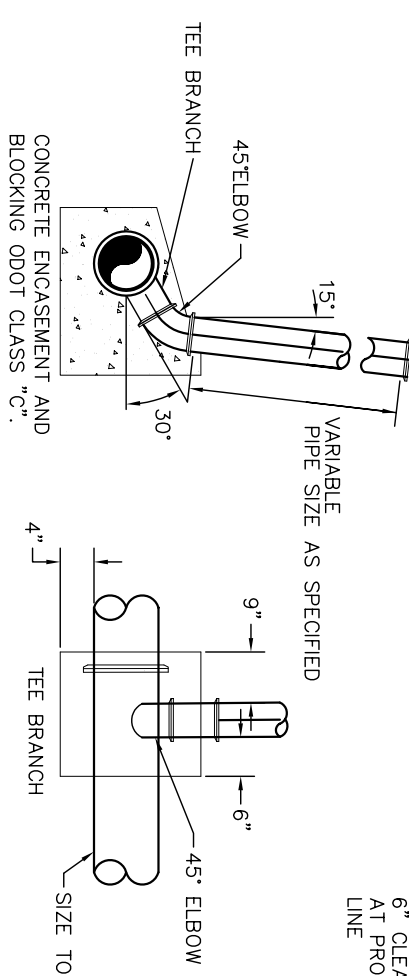


NOTES

- A.** RISER PIPE TO BE BEDDED SOLIDLY AGAINST UNDISTURBED GROUND. ALSO, TEE MAY BE SUBSTITUTED FOR WYE BRANCH IF SPECIFIED.
- B.** RISER PIPE TO BE INSTALLED SO THAT CONNECTING SERVICE SHALL HAVE A MINIMUM DEPTH OF 7' AT THE PROPERTY LINE UNLESS A GREATER DEPTH IS DIRECTED.
- C.** CONCRETE ENCASUREMENT AND BLOCKING REQUIRED IF DEPTH OF CONNECTION IS 12' OR GREATER.
- D.** EACH SANITARY LATERAL MUST BE IN SEPARATE TRENCHES.



- ① 6" TEE OR WYE-ROTATE 45° FROM HORIZONTAL UNLESS OTHERWISE SPECIFIED.
- ② 6" 1/8 BEND OR 1/16 BEND AS NEEDED.
- ③ CAP UNLESS JOINING EXISTING SERVICE LATERAL.
- ④ BED PIPE WITH 8" GRANULAR MATERIAL AND BACKFILL WITH GRANULAR MATERIAL TO 8" ABOVE PIPE. ODOT TYPE 3 FROM SURFACE AND DISTANCE FROM CENTERLINE OF SEWER, BEFORE BACKFILL IS PLACED.
- ⑤ EXACT RECORD OF BEND LOCATIONS MUST BE MADE, AS TO DEPTH

SERVICE RISER

SERVICE LATERAL

VILLAGE OF

ADA



SERVICE RISER AND SERVICE LATERAL

REVISIONS:

DATE

APPROVED:

PAGE No.

900-6