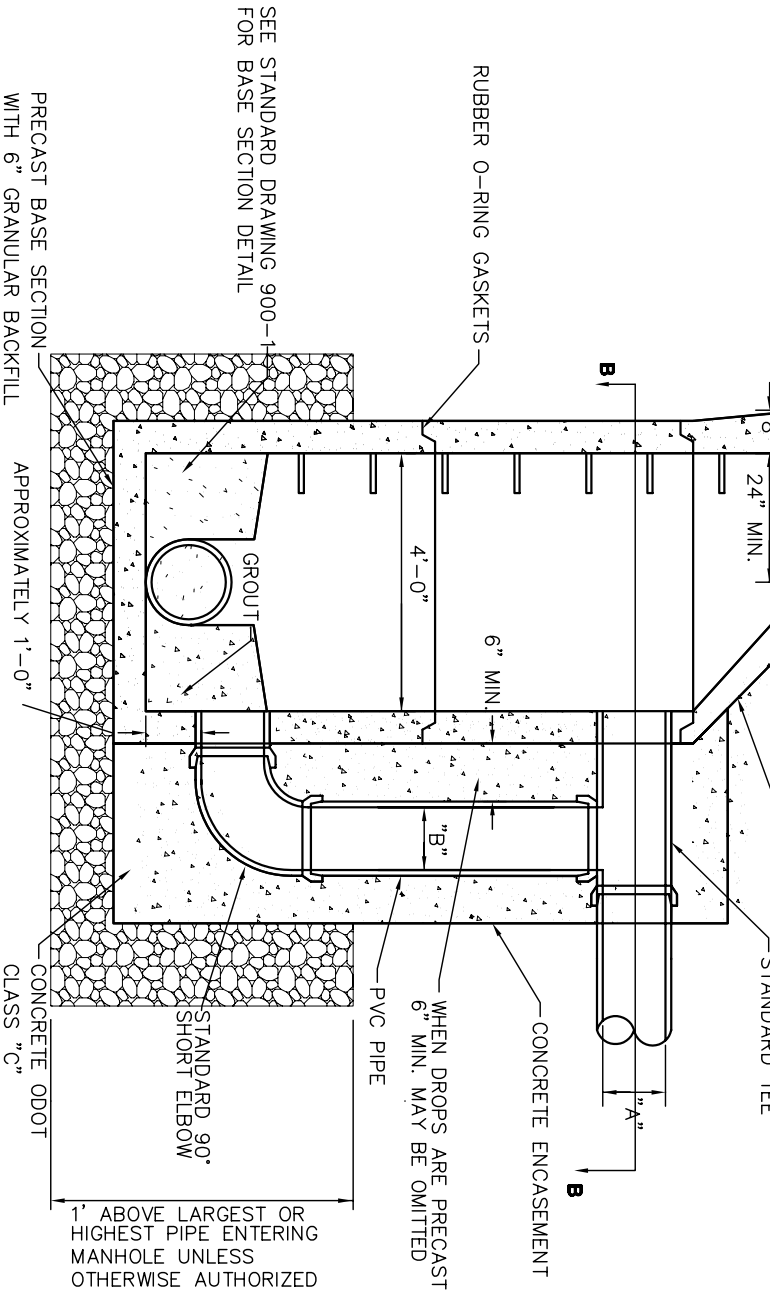


MANHOLE FRAME & LID
 (SEE MISC. SANITARY MANHOLE
 DETAIL 900-3 FOR CHIMNEY SEAL).
 PRECAST ADJUSTING RING
 2" MIN. AND 12" MAX. AND
 LIMIT TO NO MORE THAN
 TWO RINGS
 MANHOLE FRAME & LID
 PAVEMENT
 CONSEAL CS-102 SEALANT OR EQUIVALENT.
 CONE SHALL BE ECCENTRIC.
 STANDARD TEE
 24" MIN.
 8"



SEE STANDARD DRAWING 900-1
 FOR BASE SECTION DETAIL

PRECAST BASE SECTION
 WITH 6" GRANULAR BACKFILL

APPROXIMATELY 1'-0"

CONCRETE ODDOT
 CLASS "C"

1' ABOVE LARGEST OR
 HIGHEST PIPE ENTERING
 MANHOLE UNLESS
 OTHERWISE AUTHORIZED

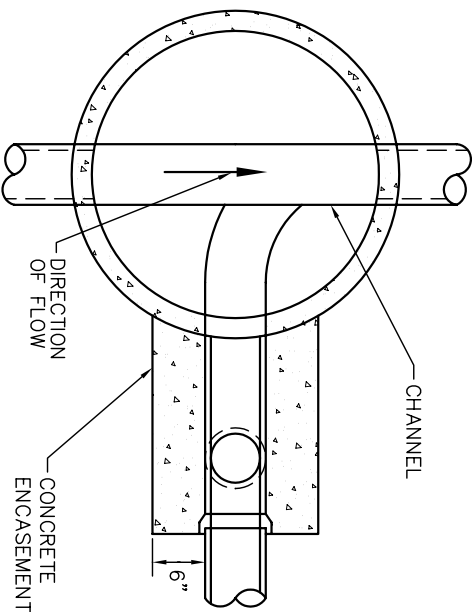
WHEN DROPS ARE PRECAST
 6" MIN. MAY BE OMITTED

NOTES

- A. LOCATE THE CENTERLINE OF MANHOLE CONES OVER THE CENTERLINE OF THE MAIN SEWER WHENEVER POSSIBLE.
- B. TYPE D MANHOLE SHALL BE USED WHERE THE DIFFERENCE IN INVERT ELEVATIONS IS GREATER THAN 2'-0".
- C. ALL NOTES AND ASTM REFERENCES ON THE TYPE 3 SANITARY MANHOLE APPLY ON THE TYPE D SANITARY DROP MANHOLE.

DROP CONNECTION MANHOLE

"A"	"B"
8", 10", & 12"	8"
15" & 18"	10"
21" & 24"	12"



SECTIONAL PLAN B-B

VILLAGE OF
 ADA



TYPE D SANITARY DROP MANHOLE

REVISIONS:
 AUG. 1999
 MAR. 2000
 MAR. 2003

DATE
 APPROVED:
 MAY 1997
 PAGE No.
 900-2