

MANHOLE FRAME & LID
(SEE MISC. SANITARY MANHOLE
DETAIL 900-3 FOR CHIMNEY SEAL).

PRECAST ADJUSTING RING
2" MIN. AND 12" MAX AND
LIMIT TO NO MORE THAN
TWO RINGS

ECCENTRIC CONE OR
PRECAST FLAT SLAB TOP
WHEN REQUIRED.

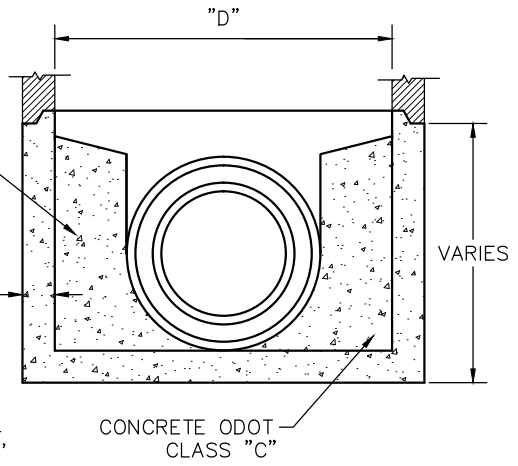
PAVEMENT

CONSEAL
CS-102 SEALANT OR
EQUIVALENT.

O-RING JOINT DETAIL

(MEETING ASTM SPEC. 443)
JOINTS MUST BE KEPT TO A MINIMUM

MIN. SLOPE
1" PER FT.



PRECAST BASE SECTION

NOTES

- A. SANITARY MANHOLE FRAMES AND COVERS SHALL BE EAST JORDAN IRON WORKS NO. 1050 FOR 9" HEIGHT, 1020 FOR 6" HEIGHT, 1022-1 FOR 7" HEIGHT AND 1037 FOR 4" HEIGHT, WITH TYPE "A" SOLID COVER LID OR NEENAH R-1550 FOR 9" HEIGHT, R-1540 FOR 6" HEIGHT, R-1772 FOR 7" HEIGHT, AND R-1464 4" HEIGHT WITH SOLID COVER LID OR EQUAL. ALL COVER LIDS SHALL BE HEAVY DUTY. WATERTIGHT MANHOLES SHALL BE THE EQUAL TO NEENAH NO. R-1916-D OR EAST JORDAN IRON WORKS NO. 1600-PT. NO LATERALS SHALL PROTRUDE INTO THE INTERIOR MANHOLE. COVER LID SHALL BE MARKED "SANITARY" AND SHALL HAVE AN O-RING GASKETED SEAL.
- B. TO CONNECT INTO EXISTING MANHOLE, THE MANHOLE SHALL BE CORED AND AN A-LOK XP SERIES FLEXIBLE CONNECTOR OR EQUIVALENT SHALL BE INSTALLED PER MANUFACTURER'S RECOMMENDATIONS. NON-SHRINK GROUT ALTERNATIVE MAY BE USED IN SPECIAL CIRCUMSTANCES WHEN PREVIOUSLY **APPROVED BY VILLAGE**.
- C. MATERIALS FOR BASES, RISERS, AND OTHER PRECAST SECTIONS, INCLUDING REINFORCEMENTS SHALL COMPLY WITH ASTM C-478.
- D. MAXIMUM SANITARY MANHOLE SPACING SHALL BE 400'.
- E. LOCATE THE CENTERLINE OF MANHOLE COVERS OVER THE CENTERLINE OF THE MAIN SEWER WHENEVER POSSIBLE.
- F. CONSEAL CS-102 FLEXIBLE BUTYL RESIN SEALANT OR EQUIVALENT SHALL BE 3/8" X 1" MINIMUM STRIPS UNDER GRADE RINGS AND CASTING.
- G. CUT PIPE SHALL NOT EXCEED BEYOND THE INSIDE FACE OF THE MANHOLE WALL.
- H. CONCRETE PLACED INSIDE THE MANHOLE SHALL NOT BE PLACED BETWEEN THE PIPE AND THE OPENING SO AS TO INTERFERE IN ANY WAY WITH THE FLEXIBILITY OF THE JOINT.
- I. MANHOLES IN PAVEMENT SHALL HAVE CHIMNEYS CONSTRUCTED ACCORDING TO SHEET 500-7,500-8 AND 500-9.

FLEXIBLE WATER TIGHT
JOINT A.S.T.M. 923-79
e.g. DURA-SEAL OR A-LOK

1' ABOVE LARGEST OR
HIGHEST PIPE ENTERING
MANHOLE UNLESS
OTHERWISE AUTHORIZED

4'-0" DIA. MIN.

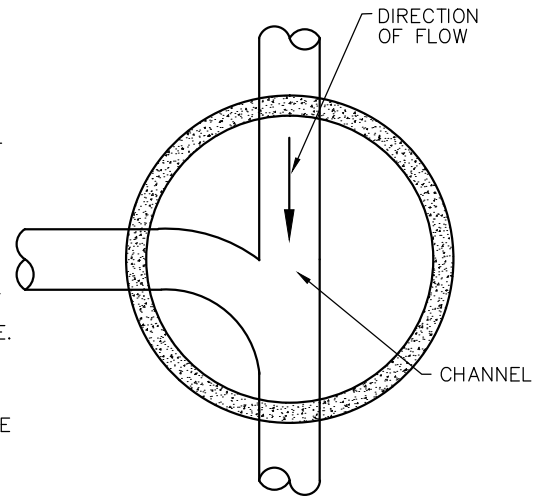
12" MIN. MAX. D

GROUT

STONE FOUNDATION
(ODOT #67 OR ODOT #57)

6"

INVERT ELEVATION
SHOWN ON PROFILE

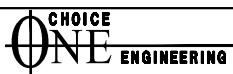


STANDARD INVERT CHANNEL

ALL INVERTS TO BE CHanneled FOR
OPTIMUM FLOW.

PIPE SIZE	T	D
24" & UNDER	5"	48"
27" & ABOVE	6"	60"

VILLAGE OF
ADA



TYPE 3 SANITARY MANHOLE

REVISIONS:	DATE
AUG. 1999	APPROVED:
MAR. 2000	MAY 1997
APR. 2009	PAGE No.
NOV. 2013	900-1