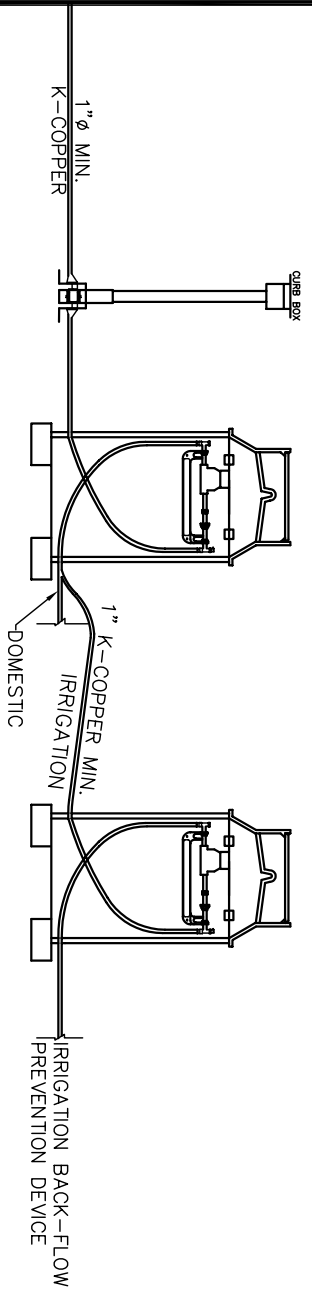


NOTES

- A.** SEE "STANDARDS FOR TAPS, SERVICES AND METERS" FOR TYPICAL NOTES
- B.** BACKFLOW PREVENTION DEVICE REQUIRED—CONTACT WATER ENGINEERING FOR APPROVED DEVICE.
- C.** PROVIDE APPROVED DRAIN FOR IRRIGATION SYSTEM
- D.** ALTERNATE DESIGNS MUST BE SUBMITTED FOR APPROVAL.
- E.** TOP OF PIT LID TO BE INSTALLED AT FINISHED GRADE.
- F.** THE CURB BOX MUST BE BROUGHT UP TO FINISH GRADE
- G.** NO OUTLETS ARE ALLOWED BETWEEN METER AND THE BACKFLOW PREVENTER OR HOSE BIBB VACUUM BREAKER WITH THE EXCEPTION OF ONE SCREW PLUG-IN TAR WINTERIZING/DRAINAGE PURPOSES.
- H.** THE UNDERGROUND WATER SERVICE SHALL BE K-COPPER UP TO THE BACKFLOW PREVENTER OR HOSE BIBB VACUUM BREAKER. ALL JOINTS FLARED TYPE JOINTS.
- I.** IN CASE OF ADD-ON CONSTRUCTION (WITH AN EXISTING DOMESTIC METER AND SERVICE) LEAD FREE SOLDERED JOINTS WILL BE ACCEPTED AT THE TAKE-OFF TEE ONLY
- J.** THE INSTALLATION SHALL BE INSPECTED BY THE VILLAGE.

**INSTRUCTIONS FOR
THE INSTALLATION OF IRRIGATION METERS
AND
BACKFLOW PREVENTERS FOR IRRIGATION**

- 1.** MAKE DRAWING OF THE PROPOSED IRRIGATION SYSTEM. THIS DRAWING MUST BE APPROVED BY VILLAGE.
- 2.** ALL WORK SHALL BE DONE IN ACCORDANCE WITH THE VILLAGE "STANDARDS FOR TAPS, SERVICES AND METERS".
- 3.** GET THE NECESSARY PERMITS.
 - A) TAPPING FEE
- 4.** AFTER THE BACKFLOW PREVENTERS HAVE BEEN INSTALLED PLEASE FILL OUT THE FORMS COMPLETELY WITH THE OWNER/LESSEE'S NAME, ADDRESS (WHERE THE BACKFLOW PREVENTER WAS INSTALLED), LOCATION OF THE BACKFLOW PREVENTER, SIZE, MAKE, MODEL, AND SERIAL NUMBER OF THE BACKFLOW PREVENTER. PLEASE RETURN THE COMPLETED FORMS TO THE VILLAGE.
- 5.** CONTACT THE VILLAGE AFTER THE WORK HAS BEEN COMPLETED. BACKFLOW PREVENTERS HAVE TO BE INSPECTED BY THE VILLAGE.



**STANDARD INSTALLATION FOR IRRIGATION
METERS AND BACKFLOW PREVENTER**

REVISIONS: MAR. 2003	DATE APPROVED: AUG. 1999
	PAGE No. 800-22