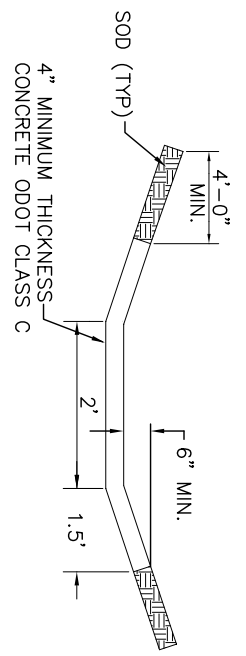


SEEP COLLAR

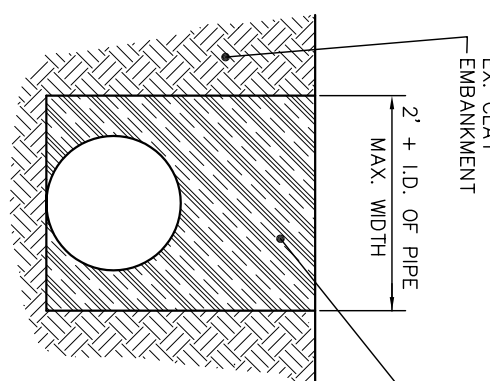
POUR BOTTOM OF COLLAR NEAT IN 12" OF EMBANKMENT CLAY.



NOTES

- A. ANY DETENTION BASINS WITH SLOPES LESS THAN 1% REQUIRE CONCRETE CHANNEL.
- B. DIFFERENT SHAPE OR SIZE OF CONCRETE CHANNEL MAY BE REQUIRED DEPENDING ON DESIGN.
- C. ALL WORK SHALL BE DONE IN ACCORDANCE WITH VILLAGE SPECIFICATIONS.
- D. BOTTOM OF DRAINAGE DITCH SHALL BE FORMED BEFORE PLACING CONCRETE, ALL FORMS SHALL BE SET TO GRADE AND ALIGNMENT.
- E. TRANSVERSE CONTRACTION JOINTS SHALL BE SPACED AT 10 FOOT INTERVALS. THE GROOVES SHALL BE CUT TO A MINIMUM DEPTH OF 1 INCH.

PAVED CONCRETE CHANNEL DETAIL



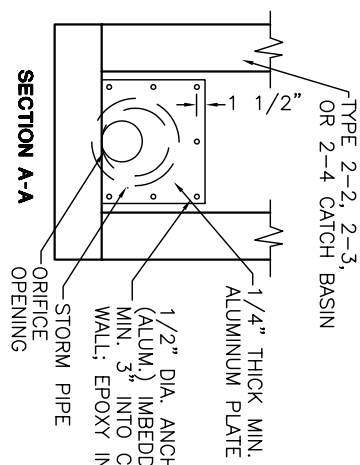
COMPACTED CLAY BACKFILL OPERATIONS SHALL BE PERFORMED BY HAND TAMPING.

NOTES

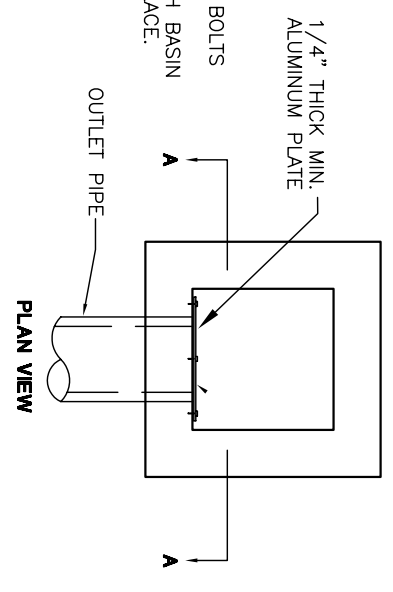
- A. EXTRA COMPACTION AND CARE SHALL BE TAKEN TO ENSURE WATER SEALING OF DIKE AND PROPER CLAY BEDDING OF PIPE.
- B. COMPACTION REQUIREMENTS SHALL BE 95% STANDARD MAXIMUM DRY WEIGHT DENSITY.
- C. THIS SHALL BE REQUIRED AT ALL PIPES ENTERING OR EXITING THE DETENTION BASIN.
- D. PAYMENT FOR THESE ITEMS SHALL BE INCIDENTAL TO ITEM 603.

CLAY TRENCH DETAIL THROUGH DETENTION BASIN

VILLAGE OF ADA



TENTION OUTLET ORIFICE



DETENTION BASIN DETAILS

REVISIONS:	DATE
AUG. 1999	APPROVED:
	MAY 1997
	PAGE No.
	600-8