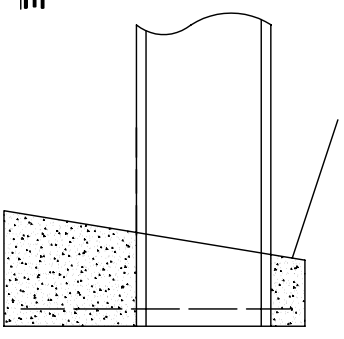


RIGID PIPE



OUTLET END
TONGUE OR SPIGOT
DOWNSTREAM

NOTES

- A.** THESE FULL HEIGHT HEADWALLS ARE FOR NONSKEWED CULVERTS HAVING A DIAMETER OR RISE OF 36" OR LESS.
- B.** CONCRETE SHALL BE ODOT CLASS C. REINFORCED STEEL BARS SHALL BE 5/8" ROUND.
- C.** DIMENSIONS AND QUANTITIES ARE SHOWN FOR CIRCULAR SECTIONS ONLY. IT WILL BE NECESSARY TO DETERMINE DIMENSIONS FOR THE HW-1 HEADWALL REQUIRED FOR REINFORCED ELLIPTICAL CONCRETE PIPE OR CORRUGATED METAL PIPE ARCHES IN ACCORDANCE WITH THE EQUATIONS LISTED ON THIS DRAWING.
- D.** CHAMFER ALL EXPOSED CORNERS 3/4".
- E.** WHERE THE SOIL BORINGS INDICATE A BEARING CAPACITY OF LESS THAN 2600 LBS. PER SQUARE FOOT, IT WILL BE NECESSARY TO INCREASE THE WIDTH OF THE BASE.
- F.** MINIMUM COVER FOR REINFORCING STEEL SHALL BE 2".
- G.** FOR PIPES HAVING A DIAMETER OR RISE OVER 36", REFERENCE ODOT HW-3 HEADWALLS FOR FULL HEIGHT HEADWALL.
- H.** FOR SKEWED CULVERTS HAVING A DIAMETER OR RISE OF 36" OR LESS, REFERENCE ODOT HW-2 HEADWALLS.
- I.** HEADWALLS MAY BE PRECAST CONCRETE CONSTRUCTED TO THE ABOVE REQUIREMENTS. GROUT AROUND PIPE AFTER INSTALLATION.
- J.** LAST 20% OF PIPE BEFORE HEADWALL SHALL BE REINFORCED CONCRETE PIPE.

DIMENSIONS		QUANTITIES ONE HEADWALL	
DIAMETER	HEIGHT	CONCRETE C.Y.	REINFORCING STEEL LBS.
15"	5'-2"	1.7	41
18"	5'-5"	2.2	57
21"	5'-8"	2.8	62
24"	5'-11"	3.3	69
30"	6'-5"	4.7	92
36"	7'-0"	6.5	105

L CIRCULAR SECTIONS = 5D + 4T
 L ELLIPTICAL OR PIPE-ARCH = 4R + 4T + S
 H CIRCULAR SECTIONS = D + T + 44"
 H ELLIPTICAL OR PIPE-ARCH = R + T + 44"
 D = DIAMETER OF PIPE
 R = RISE OF PIPE
 S = SPAN OF PIPE
 T = THICKNESS OF BARREL
 L = LENGTH OF HEADWALL
 H = HEIGHT OF HEADWALL

FULL-HEIGHT HEADWALLS