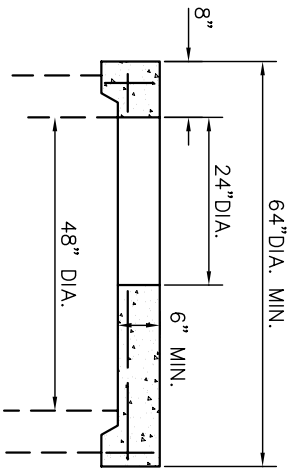
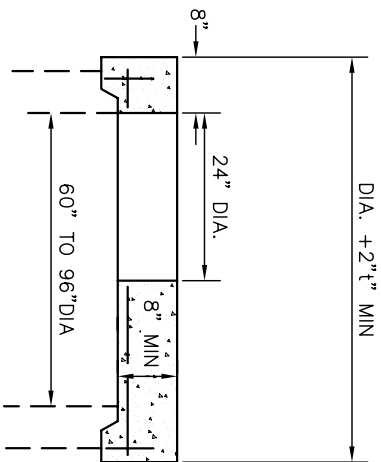


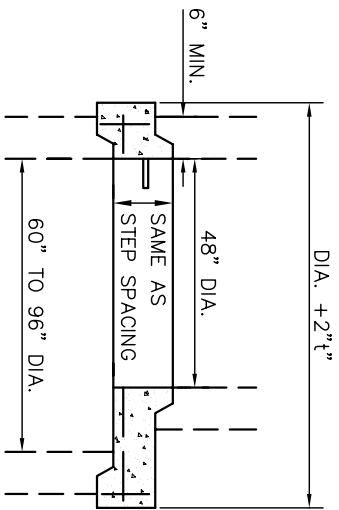
**ECCENTRIC CONE TOP**



**FLAT SLAB TOP**

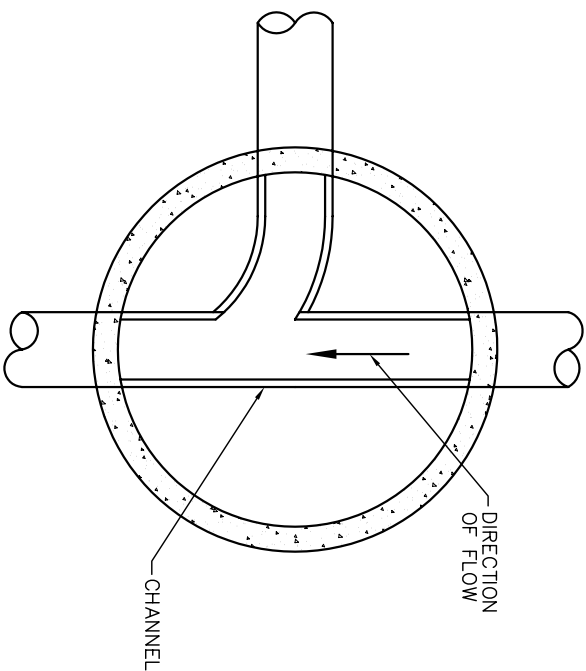


**FLAT SLAB TOP**



**FLAT SLAB TRANSITION**

BASE I.D.	MIN "t"	MAX. PIPE SIZE
60"	5"	36"
72"	6"	48"
84"	7"	54"
90"	7 1/2"	60"
96"	8"	60"



**SECTIONAL PLAN**

**NOTE**

ALL INVERTS TO BE CHANNELLED FOR OPTIMUM FLOW.

**TYPE 3 STORM MANHOLE DETAILS**