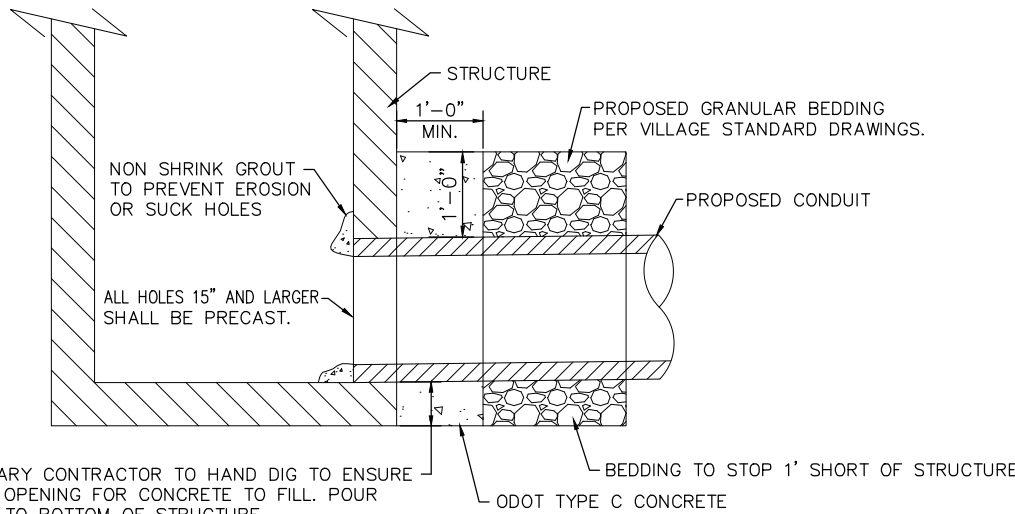


IF NECESSARY CONTRACTOR TO HAND DIG TO ENSURE COMPLETE OPENING FOR CONCRETE TO FILL. POUR CONCRETE TO BOTTOM OF STRUCTURE

**NOTES**

- A.** CONTRACTOR MUST USE CLASS C CONCRETE AROUND PIPES 12" OR LARGER INSIDE AND OUTSIDE OF STRUCTURE TO SEAL BETWEEN PIPE AND STRUCTURE.
- B.** CONTRACTOR MAY USE NONSHRINK GROUT AROUND PIPES 10" OR SMALLER INSIDE AND OUTSIDE OF STRUCTURE TO SEAL BETWEEN PIPE AND STRUCTURE.
- C.** PIPE PENETRATIONS SHALL BE CUT WITH A CORE DRILL OR CAST IN PLACE WHILE CASTING CONCRETE BASIN. PIPE TO INTRUDE INTO CATCH BASIN 1" AND PIPE MUST BE CUT PARALLEL TO CATCH BASIN. ALL PIPES 10" AND SMALLER, USE NONSHRINK GROUT AROUND PIPE INSIDE AND OUTSIDE OF BASIN.

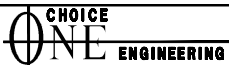
**NON SHRINK GROUT FOR 10" AND SMALLER PIPES**



IF NECESSARY CONTRACTOR TO HAND DIG TO ENSURE COMPLETE OPENING FOR CONCRETE TO FILL. POUR CONCRETE TO BOTTOM OF STRUCTURE

**CONCRETE COLLAR FOR 12" AND LARGER PIPES**

VILLAGE OF  
ADA



**CONCRETE COLLAR FOR 12" AND LARGER PIPES**

REVISIONS:	DATE
	APPROVED: NOV. 2010
	PAGE No. 600-15