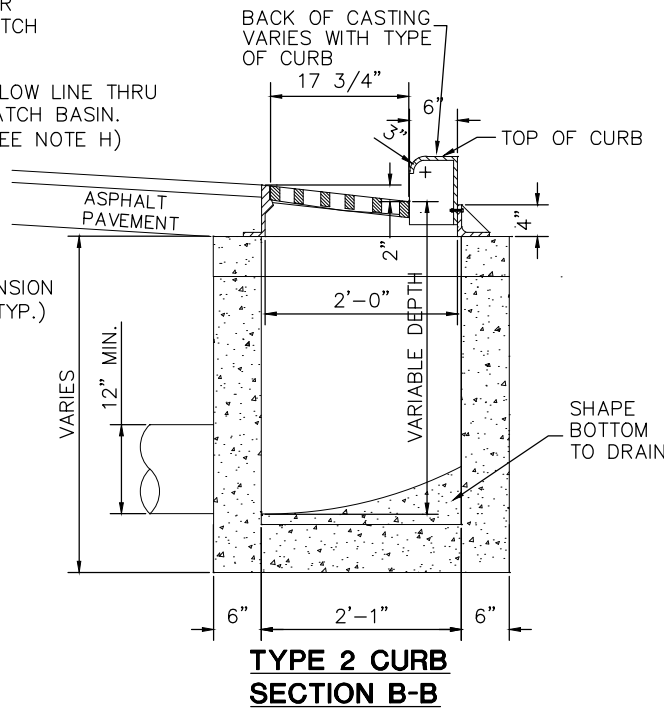
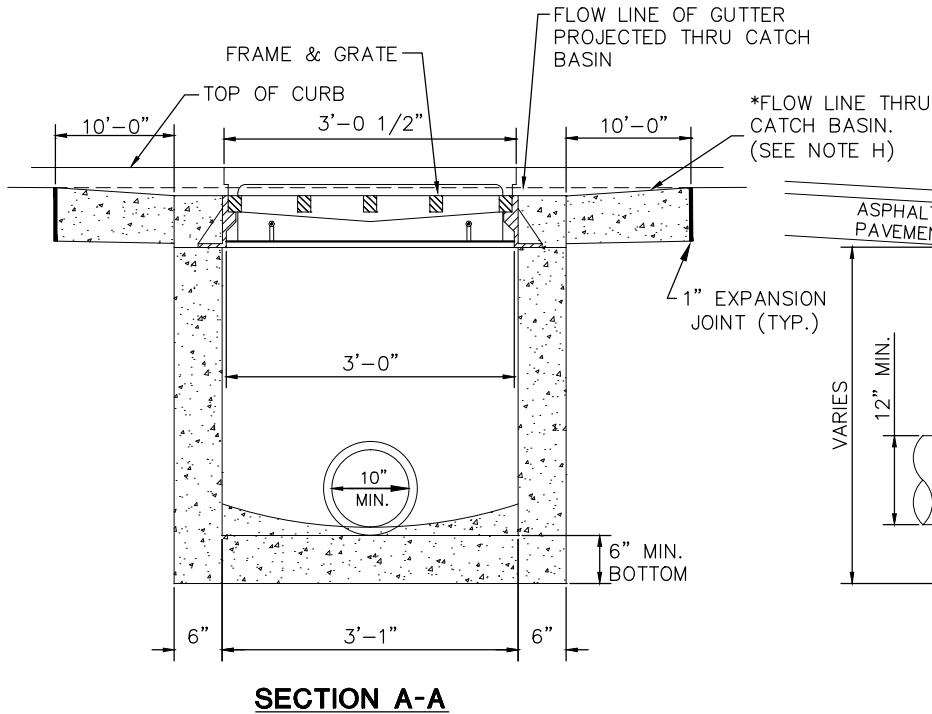


**TYPE 1 CATCH BASIN NOTES**

- A.** CASTING SHALL BE EAST JORDAN 7030 OR NEENAH R-3246 OR EQUIVALENT.
- B.** FOR TYPE 2 COMBINATION CURB AND GUTTER. THE BACK SHALL BE EAST JORDAN TYPE T4 OR NEENAH (3" RADIUS) (R-3246-I).
- C.** FOR TYPE 1 COMBINATION ROLL CURB AND GUTTER THE BACK SHALL BE EAST JORDAN TYPE T2 OR NEENAH (MOUNTABLE CURB) (R-3246-E).
- D.** CATCH BASIN IN DRIVE APPROACHES (TO BE AVOIDED, IF POSSIBLE) THE BACKS SHALL BE EAST JORDAN TYPE T3 OR NEENAH (R-3246-A) WITH CURB PLATE).
- E.** STANDARD GRATE SHALL BE EAST JORDAN TYPE M2, NEENAH TYPE C, OR EQUIVALENT. ALL BAR EDGES TO BE ROUNDED 1/8" RADIUS.
- F.** PRECAST CONSTRUCTION PERMITTED EXCEPT FOR THE APRON AND CONCRETE SHALL MEET THE REQUIREMENTS OF 706.13 WITH 6±+2% AIR VOID CONTENT IN THE HARDENED CONCRETE. PRECAST WALLS SHALL HAVE A MINIMUM THICKNESS OF 6" AND REINFORCING SHALL BE SUFFICIENT TO PERMIT SHIPPING AND PLACEMENT WITHOUT DAMAGE.
- G.** PIPE PENETRATIONS SHALL BE CUT WITH A CORE DRILL OR CAST IN PLACE WHILE CASTING CONCRETE BASIN. PIPE TO INTRUDE INTO CATCH BASIN 1" AND PIPE MUST BE CUT PARALLEL TO CATCH BASIN. ALL PIPES SHALL BE SEALED AND CONNECTED PER DETAIL 600-15.
- H.** DROP FLOW LINE 1/2" WITHIN BLOCKOUT OF COMBINED CURB AND GUTTER WHILE KEEPING LIP OF GUTTER CONSISTENT WITH TOP OF CURB.



VILLAGE OF  
ADA

CHOICE  
ONE ENGINEERING

**TYPE 1 CATCH BASIN  
WITH TYPE 1 AND TYPE 2 CURB**

REVISIONS:  
MAR. 2003  
NOV. 2004  
FEB. 2014

DATE  
APPROVED:  
MAY 1997

PAGE No.  
600-1