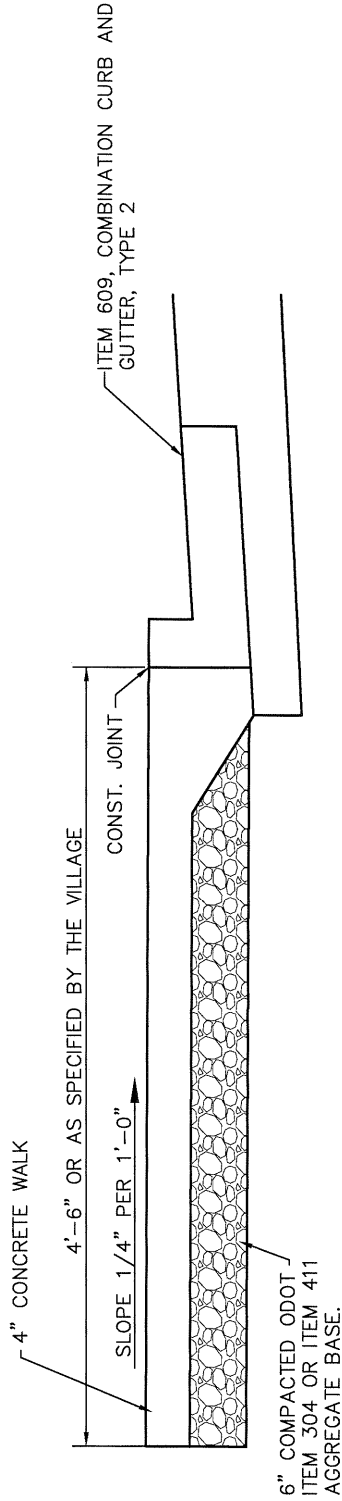


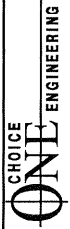
**DRIVE APRON WITH
NO CURB LAWN**

FOR DRIVEWAY NOTES SEE PAGE 300-7



CONCRETE SIDEWALK ABUTTING TYPE 2 CURB DETAIL

VILLAGE OF
ADA



REVISIONS:
JULY 2007

DATE
APPROVED:
AUG. 1999
PAGE No.
300-8

**RESIDENTIAL DRIVE APPROACH AND CONCRETE
SIDEWALK DETAIL WITH NO CURB LAWN**