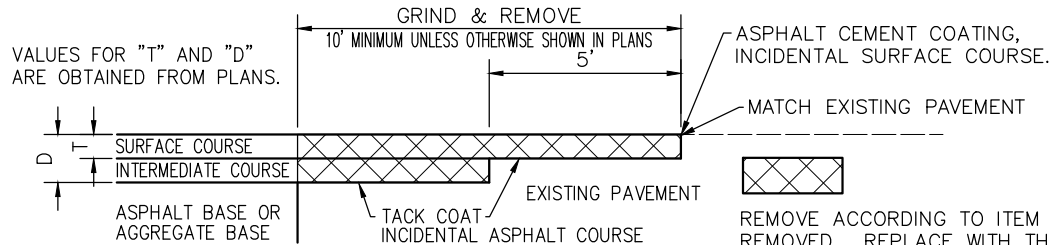
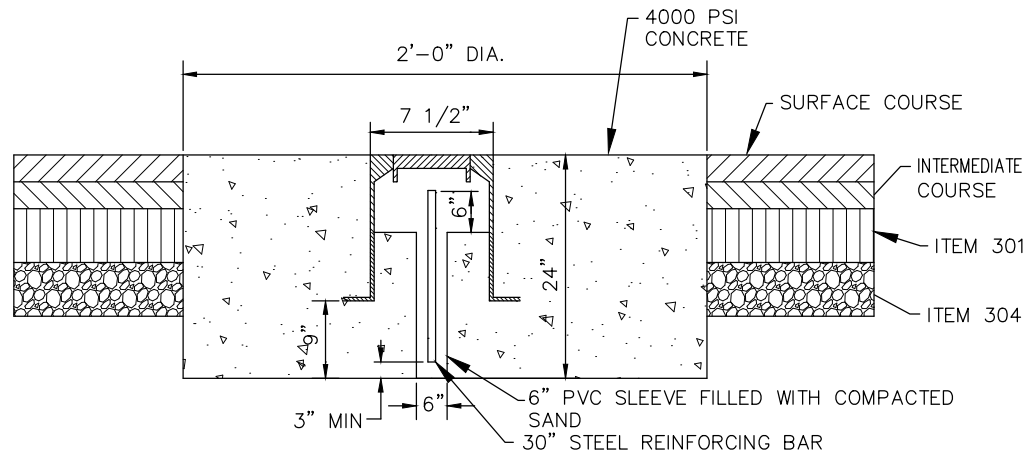


BUTT JOINT DETAIL



NEW PAVEMENT MEETING EXISTING PAVEMENT JOINT

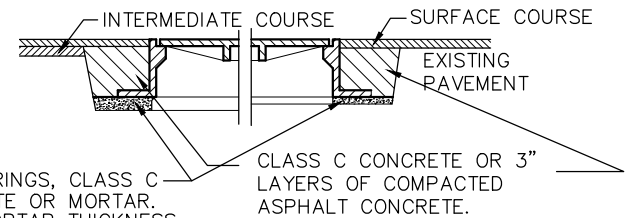
REMOVE ACCORDING TO ITEM 202 WEARING COURSE REMOVED. REPLACE WITH THE PLAN-SPECIFIED ASPHALT COURSE ITEM. PAYMENT FOR GRIND & REMOVAL IS INCLUDED WITH THE ASPHALT COURSE ITEM.



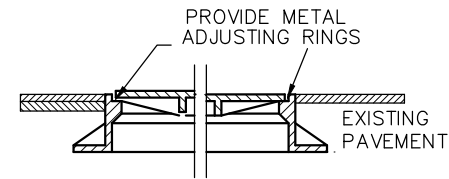
SURVEY MONUMENT BOX DETAIL

- A.** MONUMENT BOXES SHALL BE SET AT ALL STREET INTERSECTIONS AND P.I.'S OF TANGENT LINES OF ALL CURVES. IF A MONUMENT BOX CANNOT BE SET FOR A P.I. IN THE PAVEMENT AREA, BOXES MUST THEN BE SET ON THE P.C. AND P.T. OF A CURVE.
- B.** MONUMENT BOXES SHALL BE SET AFTER THE LAYING OF ODOT SURFACE COUSE UNLESS OTHERWISE PREAPPROVED.
- C.** MONUMENT ASSEMBLIES SHALL BE NEENAH R-1978-A2 OR EAST JORDAN 8375 OR APPROVED EQUAL.
- D.** MONUMENT BOXES SHALL MEET THE REQUIREMENTS OF ODOT ITEM 604 UNLESS OTHERWISE SPECIFIED WITHIN.

MANHOLES ADJUSTED TO GRADE FOR OVERLAYS



USING CONCRETE OR MORTAR



USING METAL ADJUSTING RINGS

NOTES

METAL ADJUSTING RINGS SHALL:

- A.** ATTACH SECURELY TO THE EXISTING FRAME BY WELDING OR MECHANICAL DEVICES.
- B.** CONSIST EITHER OF CAST METAL HAVING AN INTEGRAL RIM AND SEAT, OR BE FABRICATED METAL WITH A STURDY CONNECTION BETWEEN THE SEAT AND RIM.
- C.** PROVIDE AN EVEN SEAT FOR THE MANHOLE COVER.
- D.** SHALL BE TYPE DESIGN ACCEPTABLE TO THE VILLAGE.
- E.** ANY INSTALLATION UNACCEPTABLE TO THE VILLAGE SHALL BE REPLACED BY THE CONTRACTOR AT HIS EXPENSE.
- F.** MANHOLE FRAMES AND CHIMNEYS TO BE INSTALLED PER SHEET 500-7, 500-8, AND 500-9 UNLESS OTHERWISE APPROVED.

VILLAGE OF
ADA



ASPHALT OVERLAY AND MONUMENT

REVISIONS:
AUG. 1999
NOV. 2011
FEB. 2014

DATE
APPROVED:
MAY 1997

PAGE No.

300-13